



COMPRESSOR
PARTS & REPAIR

Features & Benefits

Provides an additional means balance individual power cylinders

- **Uniform cylinder loading**
- **Allows adjustment for maximum fuel economy**
- **Better control of power cylinder temperatures**
- **Better control of firing pressure**
- **Reduces possibility of detonation**
- **Increases the life of power cylinder components; valve seats, power piston rings and power pistons**

Allows use of hydraulic pushrods

- **Reduces wear on valves, seats and rocker arms**
- **The pushrod compensates for lash in the cycle, thereby increasing the efficiency and life of the fuel/air system**

Contact Us Now!

800 - TRYCECO (879-2326)

5440 Alder Dr.
Houston, Texas 77081

Fax 713-664-6444

TRYCECO.com

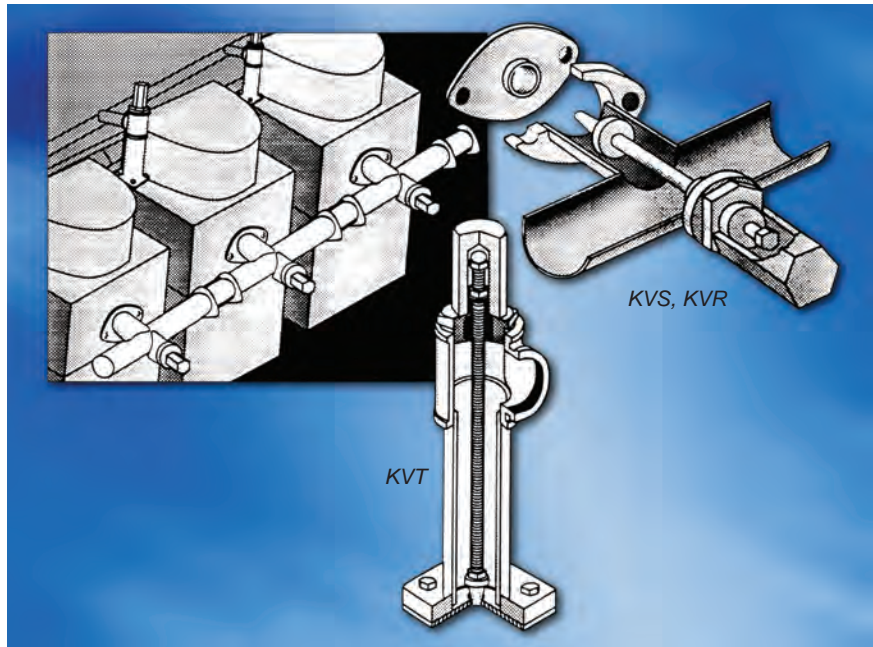
TRYCECO@ceconet.com

Form 1300, April 2010

Fuel Valve Modulators for

Cylinder Balancing and Increased Efficiency

Available for Ingersoll-Rand® KVS, KVR and KVT Engines



Significantly reduces annual fuel costs!

CECO engineered and manufactured fuel valve modulators allow you to fine tune each individual power cylinder independently of the others, providing increased efficiency and life for your Ingersoll-Rand® KVS, KVR & KVT engines.

Users report fuel savings of up to 8%, reducing fuel costs as much as \$18,400 per year*. As with all CECO parts, these fuel valve modulators are in stock, ready for immediate shipment.

*Based on 7,000 running hours per 1,000 horsepower and \$2.00/MCFM gas

Increase the life of your fuel valves!

Delivering superior products and services to the gas transmission, gas processing & petrochemical industries since 1964.

© 2010 Compressor Engineering Corporation

® CECO is a registered trademark of Compressor Engineering Corporation.

All other company names and models listed are registered trademarks of their respective owners.